

ARTWORK APPROVAL

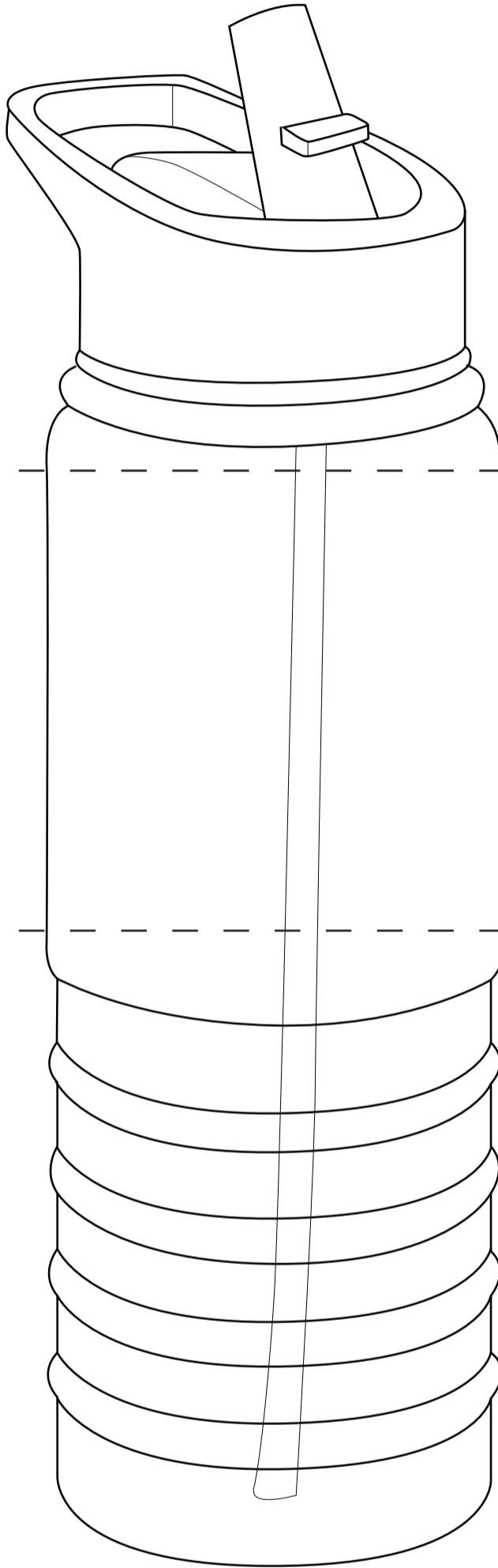
- Please note print area is indicative and may vary slightly on finished product
- Please check all details carefully

Product name: **Bottle With Straw**

Product code: **SPBT001**

Product size: **75 x 240 x 85 mm**

Maximum Imprint Area: **240 x 77 mm**



Item:	Details:	Please ✓	Proof Number:
Model No.	SPBT001	<input type="checkbox"/>	1
Item Colour:		<input type="checkbox"/>	
Quantity:		<input type="checkbox"/>	
Customer Logo:		<input type="checkbox"/>	
Print / Engrave:		<input type="checkbox"/>	
Packaging:		<input type="checkbox"/>	
Approval Signature:			
Date:			