

# ARTWORK APPROVAL

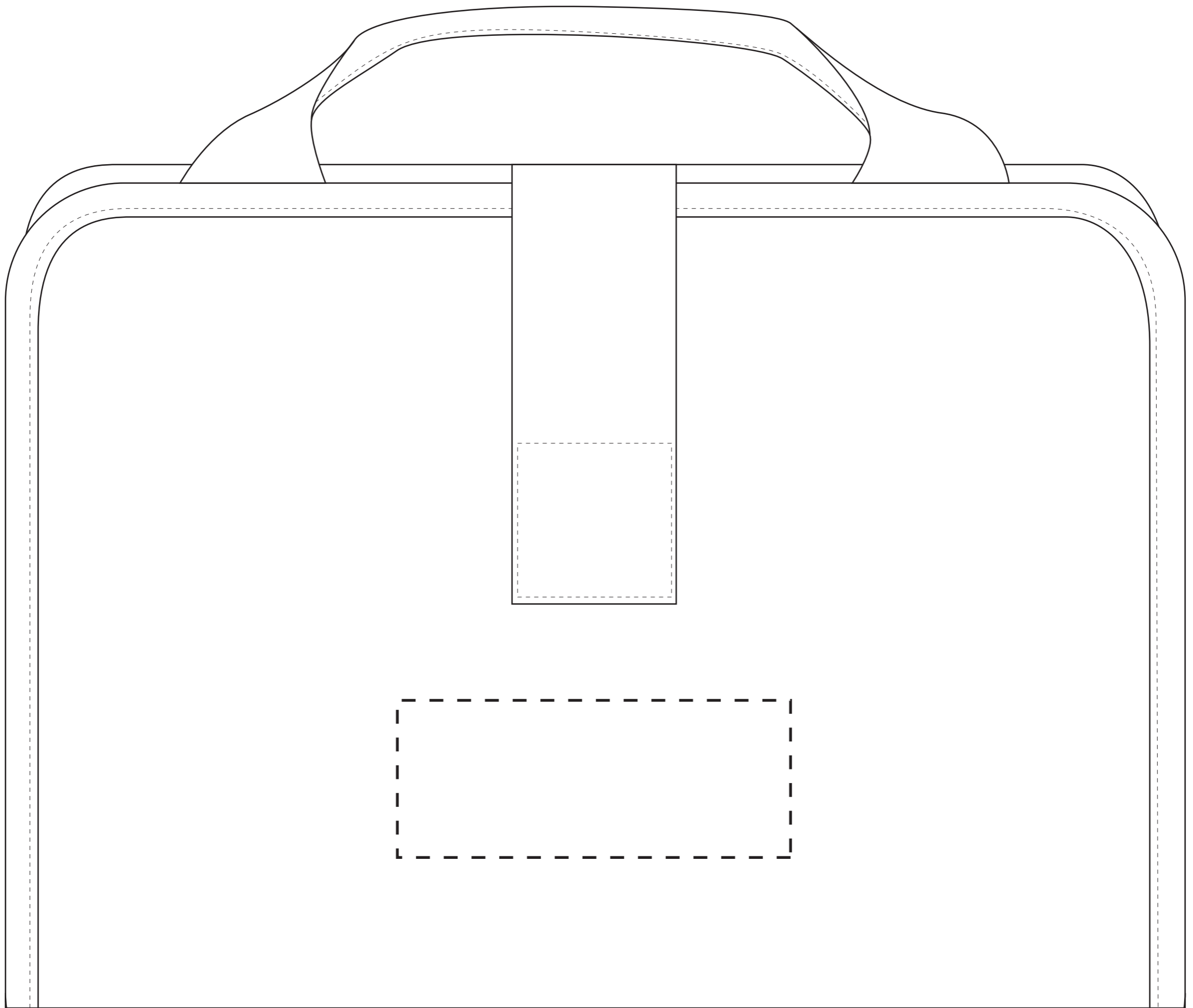
\*Please note this line drawing is a guide only and may not include all product details.

Print position may vary slightly due to human error and is considered acceptable.

\*Please check all details carefully.

Flat-Fold Toiletry Bag  
**SPB066**

Product Dimension: 30 x 21 x 45 cm  
 Print Area Size: 10 x 4 cm



Item:	Details:	Please <input checked="" type="checkbox"/>	Proof Number:
Model No.	<b>SPB066</b>	<input type="checkbox"/>	1
Item Colour:		<input type="checkbox"/>	
Quantity:		<input type="checkbox"/>	
Customer Logo:		<input type="checkbox"/>	
Print / Engrave:		<input type="checkbox"/>	
Packaging:		<input type="checkbox"/>	
Approval Signature:			
Date:			