

# ARTWORK APPROVAL

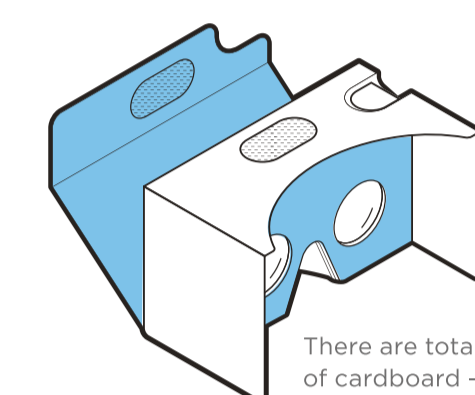
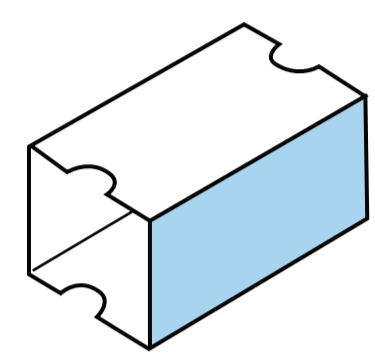
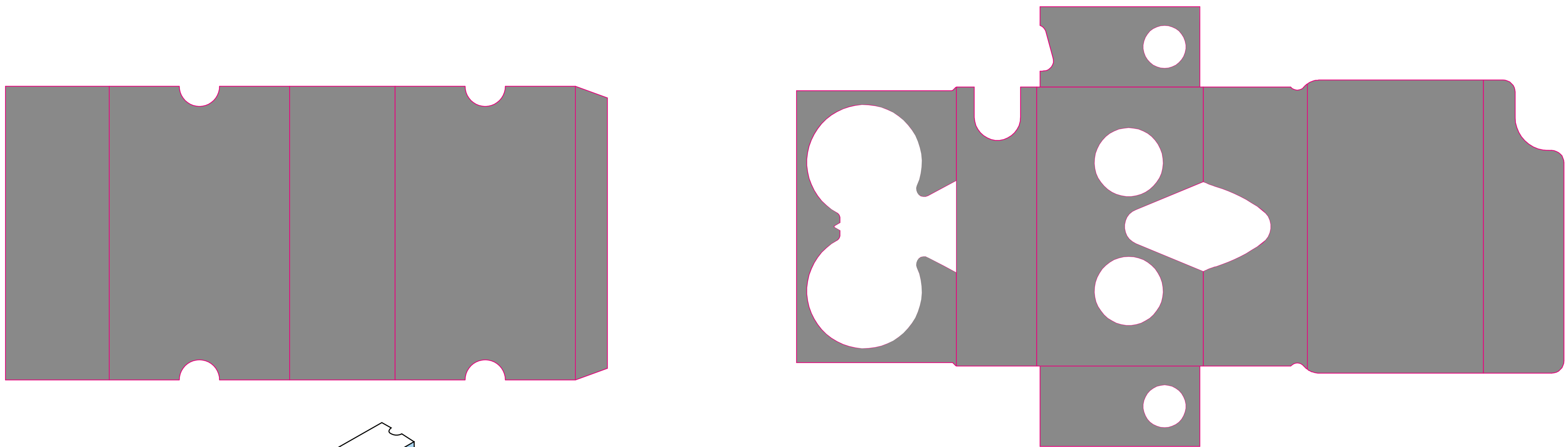
\*Please note this line drawing is a guide only and may not include all product details.  
Print position may vary slightly due to human error and is considered acceptable.

\*Please check all details carefully.

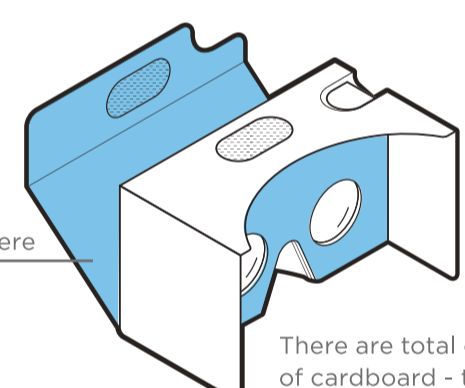
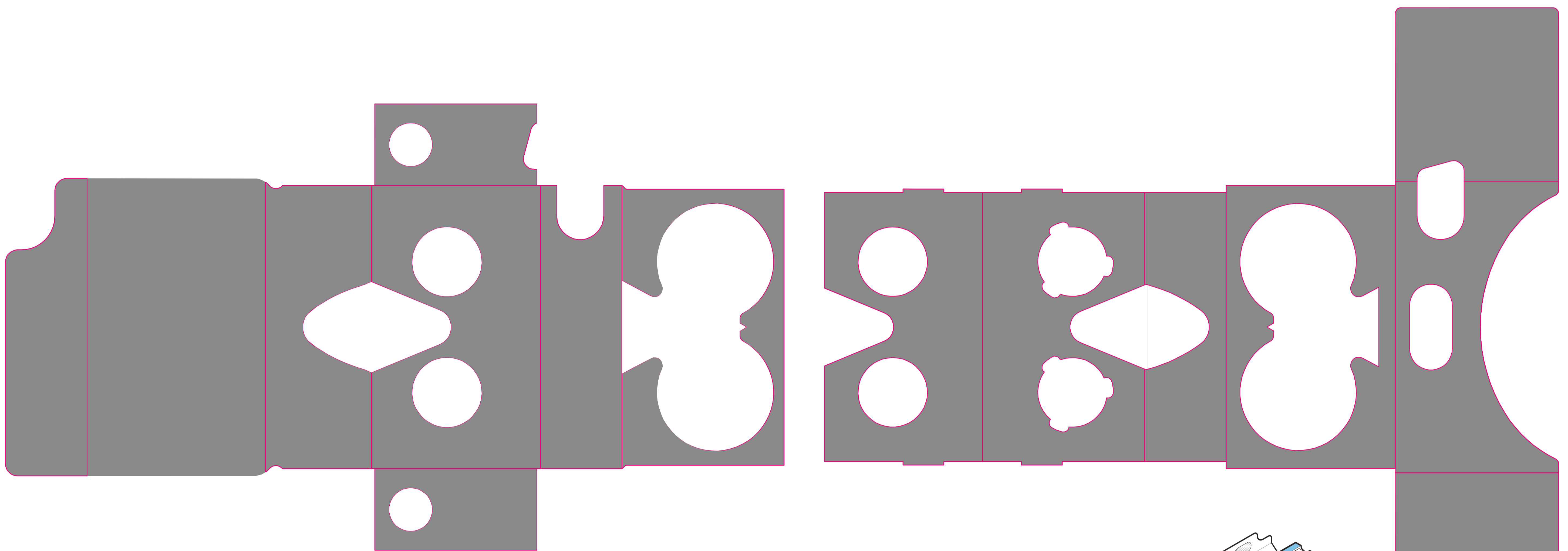
i097

Product Dimensions: 145 x 90 x 80 mm (W x H x L)

3D VR Google Glasses

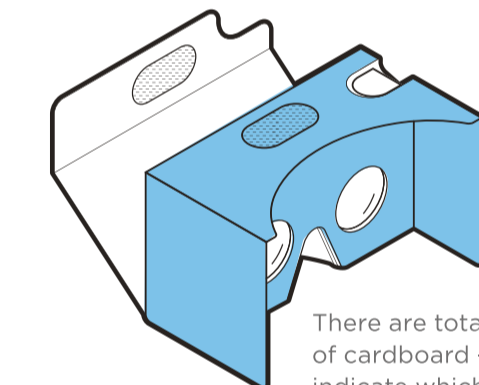


There are total of 3 pieces of cardboard - this diagram indicate which piece.

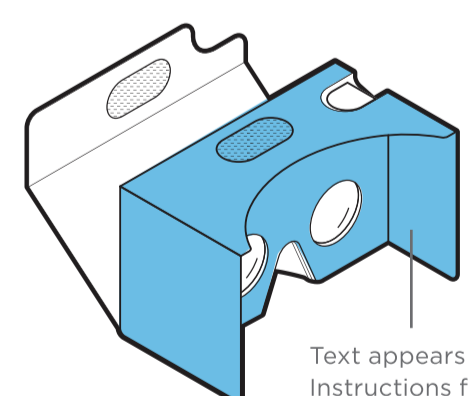
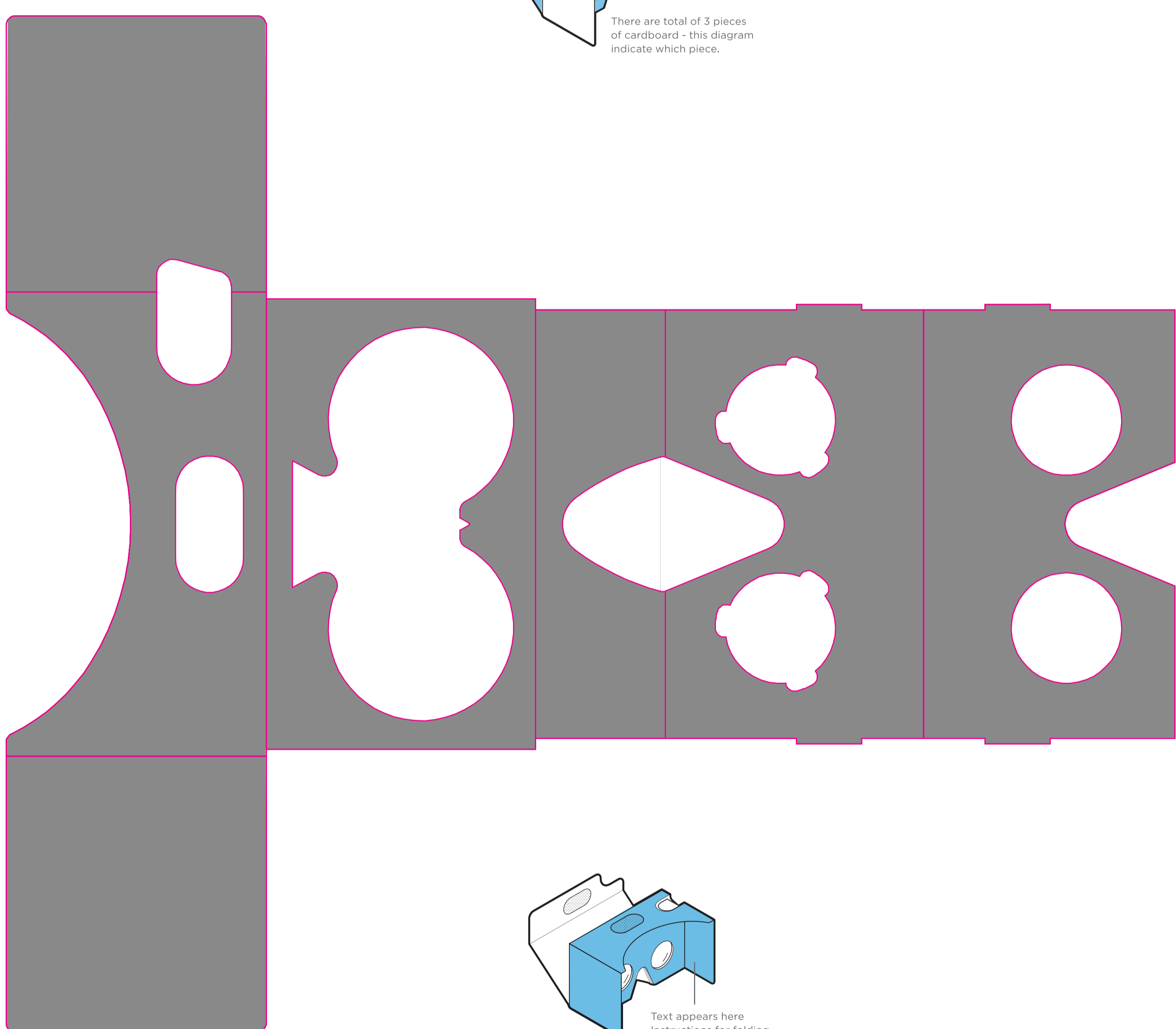


Text appears here.

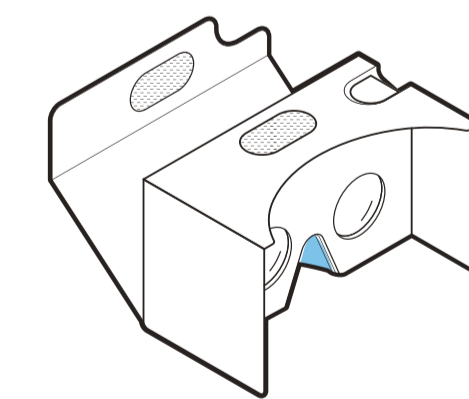
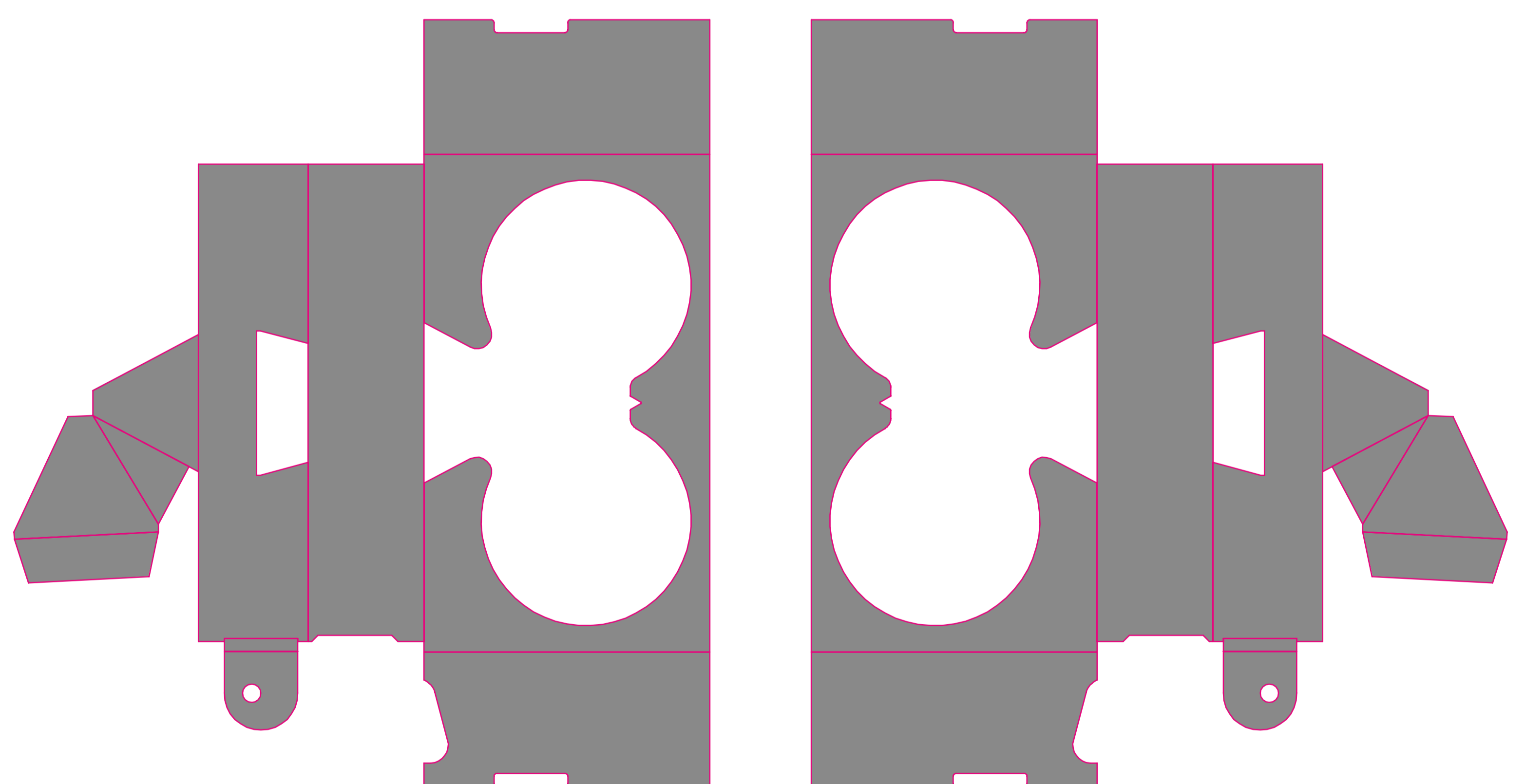
There are total of 3 pieces of cardboard - this diagram indicate which piece.



There are total of 3 pieces of cardboard - this diagram indicate which piece.



Text appears here  
Instructions for folding



NOTE:  
This is the internal structure piece that holds the nose piece and keeps the Google Cardboard rigid - this will be black with no messaging.

Item:	Details:	Please	Proof Number:
Model No.	i097	<input checked="" type="checkbox"/>	
Item Colour:		<input type="checkbox"/>	
Quantity:		<input type="checkbox"/>	
Customer Logo:		<input type="checkbox"/>	
Print / Engrave:		<input type="checkbox"/>	
Packaging:		<input type="checkbox"/>	
Approval Signature:			
Date:			